

Approved Not Approved
 Revise and Resubmit _____
Date

SILVER END / SILVER TAB

Approval is for confirmation of shell & tab color as well as information placed on the end including but not limited to state abbreviations, deposit information, Kosher symbols etc.

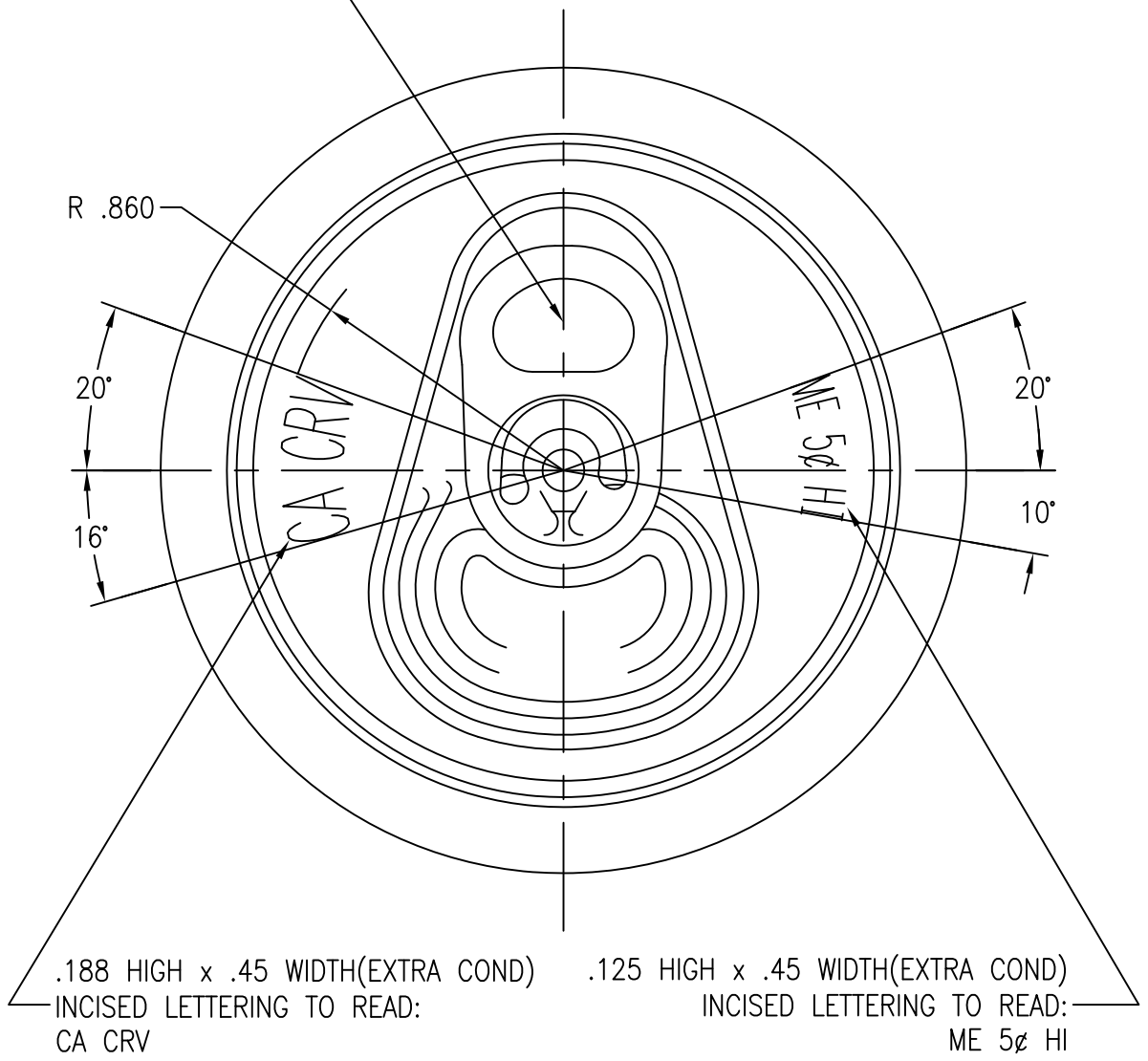
Approved by: _____ Date: _____

Signature

Print Name


Company: _____

THIS AREA FOR INCISED MANUFACTURING INFORMATION



DATE 3/07/06	APPROVED
DRAWN D. FRANK	APPROVED
CHECKED J. TRAPHAGEN	APPROVED
APPROVED S. ENGEL	APPROVED

PRODUCT 206 CDL+ STOLLE END
 INCISING: CA CRV
 ME 5¢ HI
 MANUFACTURING SPECIFICATIONS
 TOOLING DWG: T459D-D0445

 METAL CONTAINER OPERATIONS	9300 WEST 108TH CIRCLE BROOMFIELD, COLORADO 80021-3682 MAILING ADDRESS: P.O. BOX 589 BROOMFIELD, COLORADO 80038-0589
	THE DESIGNS, INFORMATION AND DATA CONTAINED HEREIN ARE PROPRIETARY AND ARE SUBMITTED IN CONFIDENCE AND SHALL NOT BE DISCLOSED, USED, OR DUPLICATED IN WHOLE OR IN PART, FOR ANY PURPOSE WHATSOEVER WITHOUT THE PRIOR WRITTEN PERMISSION OF BALL CORPORATION. RECEIPT OF THIS DOCUMENT SHALL BE DEEMED TO BE AN ACCEPTANCE OF THE CONDITIONS SPECIFIED HEREIN.
PRODUCT STANDARD 80LETTERING-662	REV A