

Approved Not Approved

Revise and Resubmit _____

Date

SILVER END - SILVER TAB

Approval is for confirmation of information placed on the end including but not limited to : State Abbreviations, Deposit Information, Kosher Symbols, etc.

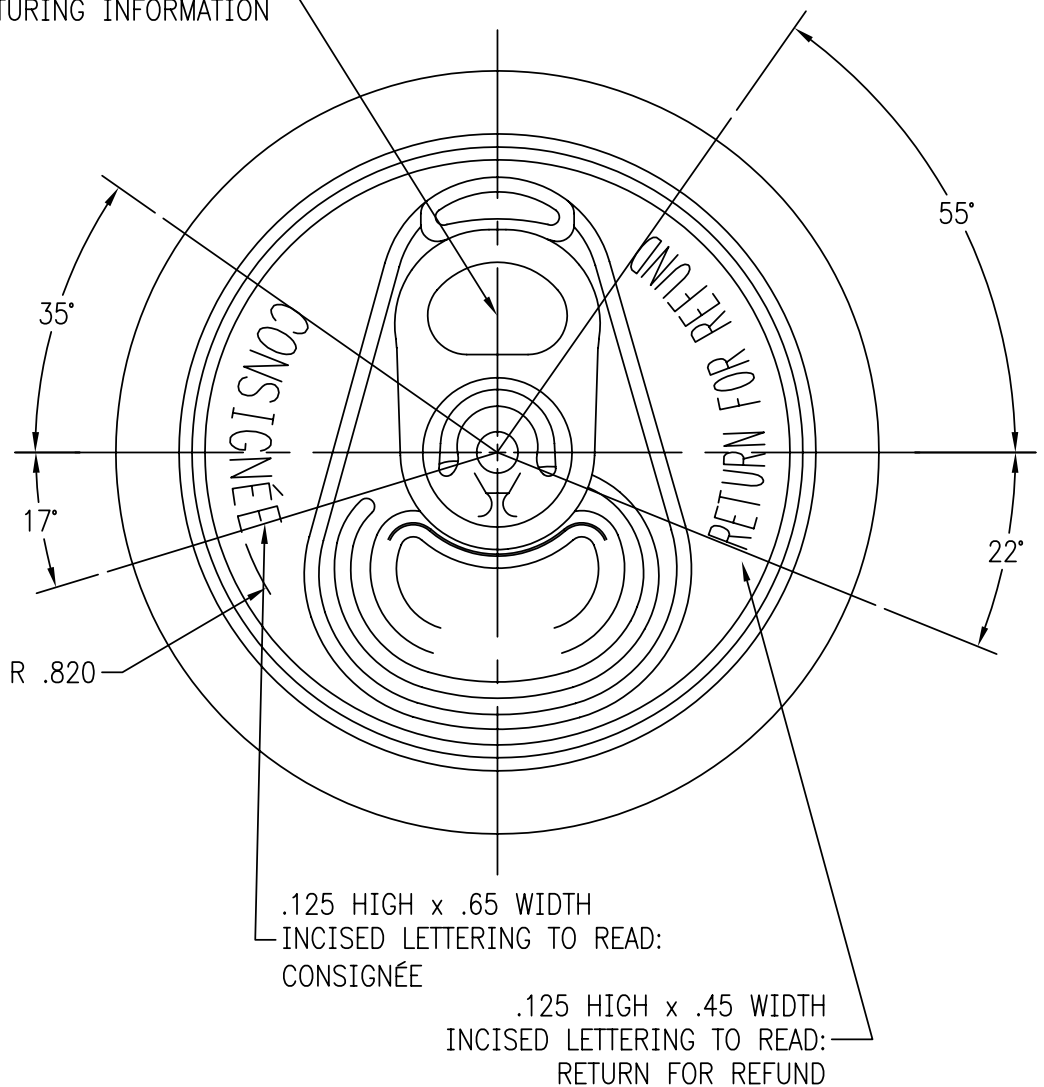
Approved by: _____ Date: _____

Signature

Print Name

Company: _____

THIS AREA FOR INCISED MANUFACTURING INFORMATION




.125 HIGH x .65 WIDTH
INCISED LETTERING TO READ:
CONSIGNÉE

.125 HIGH x .45 WIDTH
INCISED LETTERING TO READ:
RETURN FOR REFUND

DATE 07-19-99	APPROVED J.HARRIS
DRAWN M. RIEGLE	APPROVED T.NGUYEN
CHECKED D.STEVENS	APPROVED
APPROVED R.RAYBURN	APPROVED

PRODUCT	202 STOLLE LOE END
INCISING:	CONSIGNÉE RETURN FOR REFUND
MANUFACTURING SPECIFICATION	
TOOLING DRAWING:	T459D-D0084

	METAL CONTAINER OPERATIONS	9300 WEST 108TH CIRCLE BROOMFIELD, COLORADO 80021-3682 MAILING ADDRESS: P.O. BOX 589 BROOMFIELD, COLORADO 80038-0589
	PRODUCT STANDARD	80LETTERING-256

THE DESIGNS, INFORMATION AND DATA CONTAINED HEREIN ARE PROPRIETARY AND ARE SUBMITTED IN CONFIDENCE AND SHALL NOT BE DISCLOSED, USED, OR DUPLICATED IN WHOLE OR IN PART, FOR ANY PURPOSE WHATSOEVER WITHOUT THE PRIOR WRITTEN PERMISSION OF BALL CORPORATION. RECEIPT OF THIS DOCUMENT SHALL BE DEEMED TO BE AN ACCEPTANCE OF THE CONDITIONS SPECIFIED HEREIN.