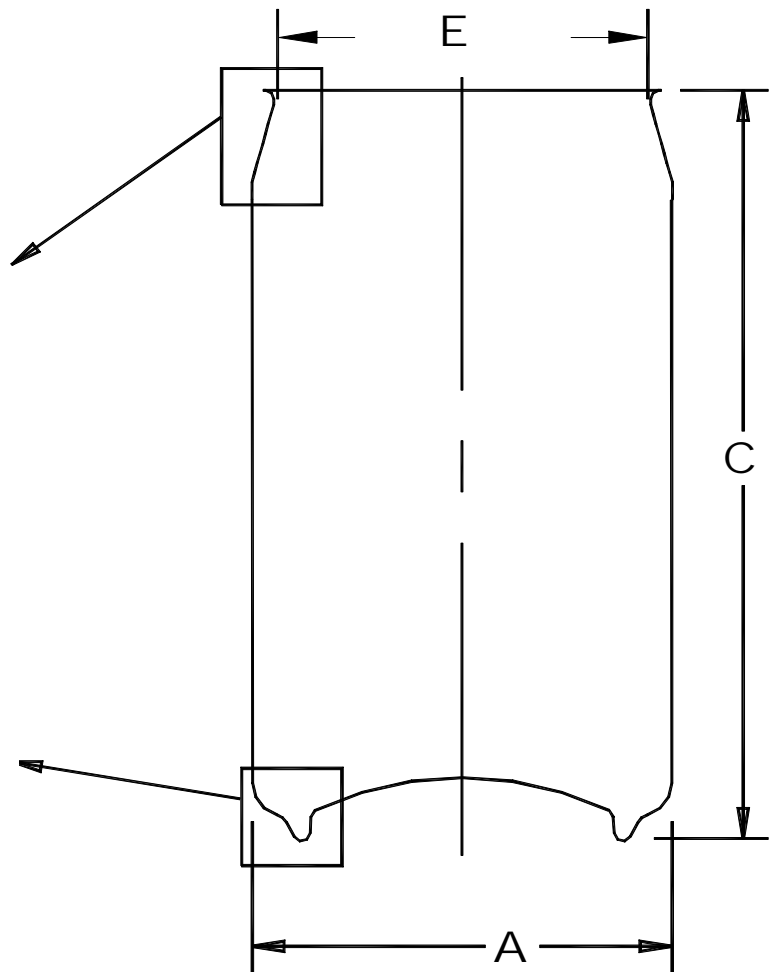
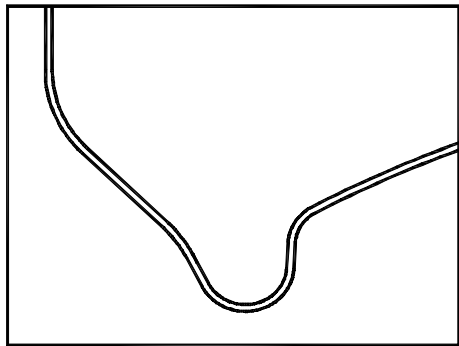


**NECK DETAIL**



**NECKED & FLANGED CAN**

A	BODY OUTSIDE DIAMETER	(in)	2.610 ± 0.006
B	FLANGE WIDTH	(in)	0.082 ± 0.008
C	FLANGED CAN HEIGHT	(in)	4.562 ± 0.015
D	COLUMN STRENGTH	(lbs)	180 MIN
E	NECK PLUG DIAMETER	(in)	2.063 ± 0.007
F	FILL VOLUME	(ml)	333 ± 1,8
G	FREEBOARD	(in)	0.470 ± 0.020
H	MATERIAL		H-19 ALUM
J	DOMES REVERSAL PRESSURE	(PSI)	90 MIN
K	FLANGE ANGLE		0 - 12°



METAL BEVERAGE CONTAINER OPERATIONS  
 9300 W. 108TH CIRCLE  
 WESTMINSTER, CO 80021-3682  
 P.O. BOX 589, BROOMFIELD, CO 80038-0589

202/211 X 409  
 CAN BODY SPECIFICATION  
 333ml  
 MANUFACTURING SPECIFICATION

DATE CREATED  
 9/13/02

APPROVED  
 B Bass

CREATED BY  
 N Zanetell

APPROVED  
 S Kish

PRODUCT STANDARD

DATE REVISED

REV.

CS-A0941

09/09/04

B

THE DESIGNS, INFORMATION AND DATA CONTAINED HEREIN ARE PROPRIETARY AND ARE SUBMITTED IN CONFIDENCE, AND SHALL NOT BE DISCLOSED, USED OR DUPLICATED IN WHOLE OR IN PART, FOR ANY PURPOSES WHATSOEVER WITHOUT THE PRIOR WRITTEN PERMISSION OF BALL CORPORATION. RECEIPT OF THIS DOCUMENT SHALL BE DEEMED TO BE AN ACCEPTANCE OF THE CONDITIONS SPECIFIED HEREIN.