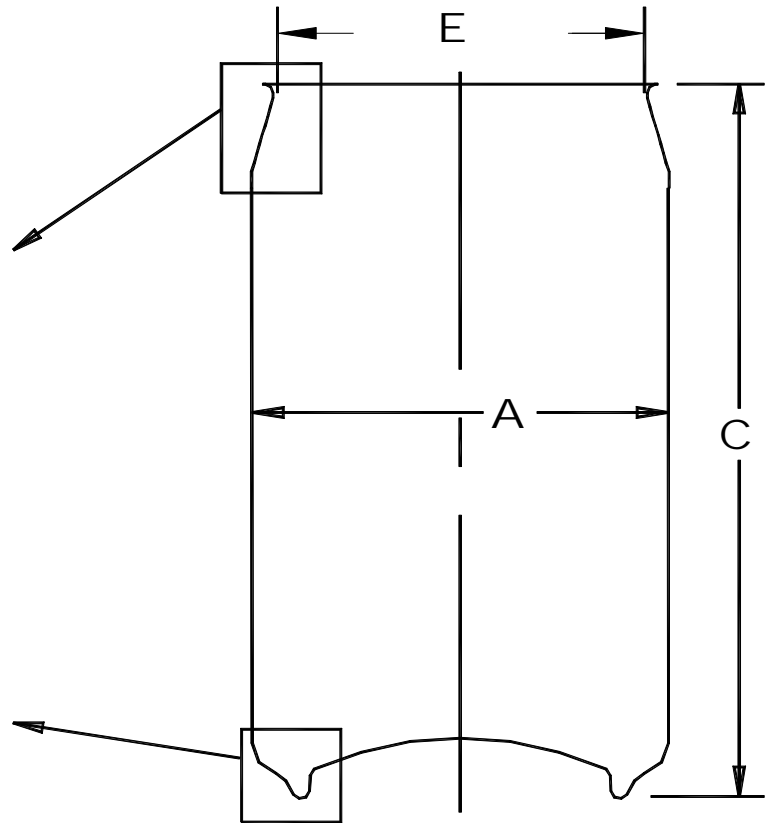
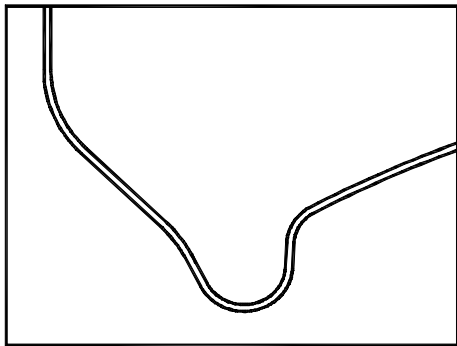


NECK DETAIL



NECKED & FLANGED CAN

A	BODY OUTSIDE DIAMETER	(in)	2.372 ± 0.008
B	FLANGE WIDTH	(in)	0.088 ± 0.008
C	FLANGED CAN HEIGHT	(in)	5.628 ± 0.015
D	COLUMN STRENGTH	(lbs)	180 MIN
E	NECK PLUG DIAMETER	(in)	2.160 ± 0.007
F	FILL VOLUME	(FL OZ)	12.00 ± 0.06
G	FREEBOARD	(in)	0.480 ± 0.020
H	MATERIAL		H-19 ALUM
J	DOMES REVERSAL PRESSURE	(PSI)	90 MIN
K	FLANGE ANGLE		0 - 12°



METAL BEVERAGE CONTAINER OPERATIONS
 9300 W. 108TH CIRCLE
 WESTMINSTER, CO 80021-3682
 P.O. BOX 589, BROOMFIELD, CO 80038-0589

204/207.5 X 510
 BEVERAGE/BEER
 SLEEK 12 oz
 MANUFACTURING SPECIFICATION

DATE CREATED	APPROVED
9/10/03	W Thomas
CREATED BY	APPROVED
N Zanetell	B Bass

THE DESIGNS, INFORMATION AND DATA CONTAINED HEREIN ARE PROPRIETARY AND ARE SUBMITTED IN CONFIDENCE, AND SHALL NOT BE DISCLOSED, USED OR DUPLICATED IN WHOLE OR IN PART, FOR ANY PURPOSES WHATSOEVER WITHOUT THE PRIOR WRITTEN PERMISSION OF BALL CORPORATION. RECEIPT OF THIS DOCUMENT SHALL BE DEEMED TO BE AN ACCEPTANCE OF THE CONDITIONS SPECIFIED HEREIN.

PRODUCT STANDARD

CS-A0963

DATE REVISED	REV.
03/31/05	D

03/31/05

D