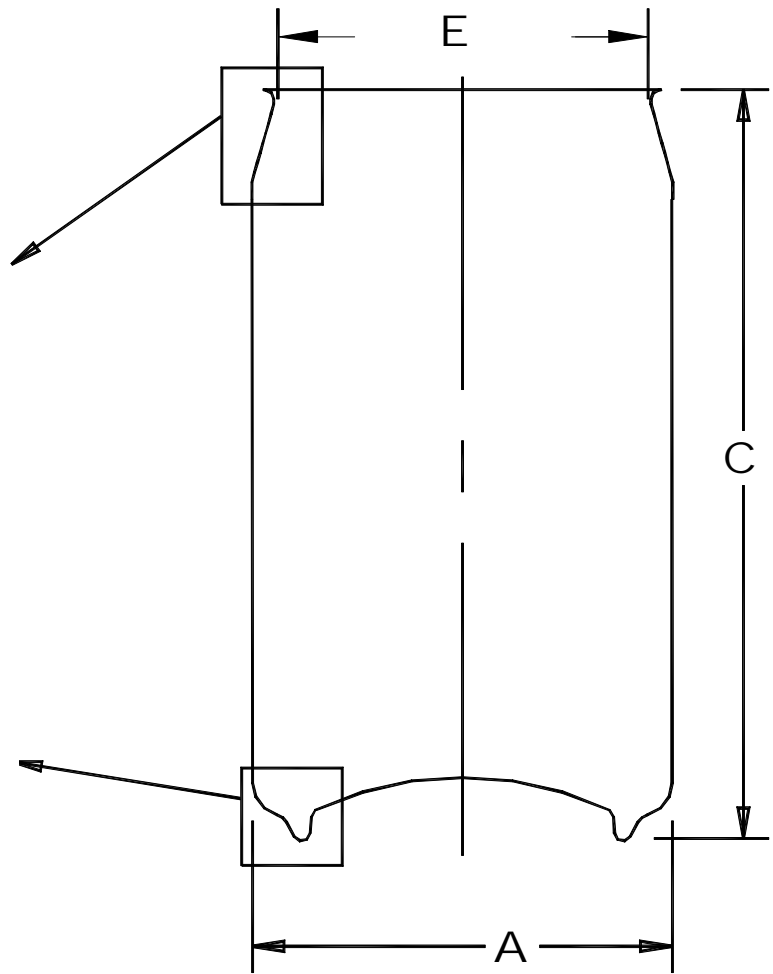
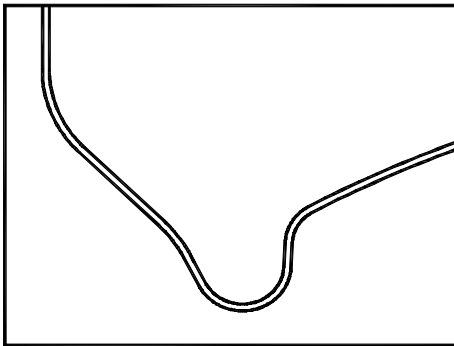


NECK DETAIL



NECKED & FLANGED CAN

A	BODY OUTSIDE DIAMETER	(in)	2.088 ± 0.008
B	FLANGE WIDTH	(in)	0.088 ± 0.008
C	FLANGED CAN HEIGHT	(in)	4.047 ± 0.015
D	COLUMN STRENGTH	(lbs)	180 MIN
E	NECK PLUG DIAMETER	(in)	1.969 ± 0.007
F	FILL VOLUME	(ml)	187 ± 0,51
G	FREEBOARD	(in)	0.480 ± 0.020
H	MATERIAL		H-19 ALUM
J	DOMES REVERSAL PRESSURE	(PSI)	70 MIN
K	FLANGE ANGLE		12° MAX



METAL BEVERAGE CONTAINER OPERATIONS
 9300 W. 108TH CIRCLE
 WESTMINSTER, CO 80021-3682
 P.O. BOX 589, BROOMFIELD, CO 80038-0589

200/202 X 401
 BEVERAGE CAN
 187ml

DATE CREATED
 4/26/04

APPROVED
 W Thomas

CREATED BY
 N Zanetell

APPROVED
 B Bass

THE DESIGNS, INFORMATION AND DATA CONTAINED HEREIN ARE PROPRIETARY AND ARE SUBMITTED IN CONFIDENCE, AND SHALL NOT BE DISCLOSED, USED OR DUPLICATED IN WHOLE OR IN PART, FOR ANY PURPOSES WHATSOEVER WITHOUT THE PRIOR WRITTEN PERMISSION OF BALL CORPORATION. RECEIPT OF THIS DOCUMENT SHALL BE DEEMED TO BE AN ACCEPTANCE OF THE CONDITIONS SPECIFIED HEREIN.

PRODUCT STANDARD

CS-A0981

DATE REVISED

REV.

A